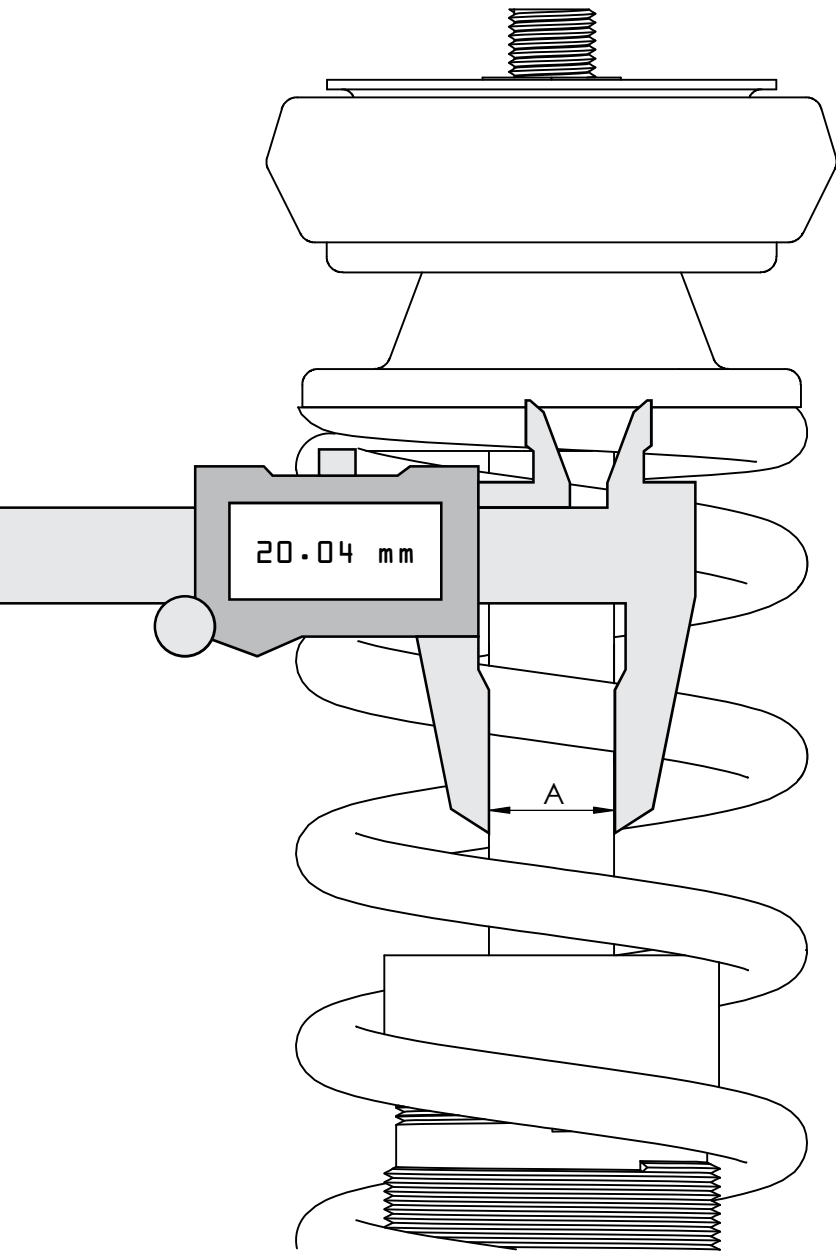


HYBRIDair

Coilover Fitment Check



To ensure you receive the correct Coiloverlift kit for your coilovers, one simple measurements is required. Before you begin, please take a few moments to make sure the shock rod is clean, ensuring an accurate result. We strongly suggest using a caliper to take these measurements. A digital caliper is recommended, however, a cheap \$5 analog caliper will do in a pinch.

Vehicle information

Year of vehicle _____

Make and model of vehicle _____

Make and model of coilover _____

Are camber plates in use? YES NO

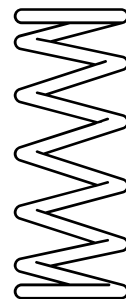
Ⓐ - Shock rod shaft diameter

_____ millimeters - Front

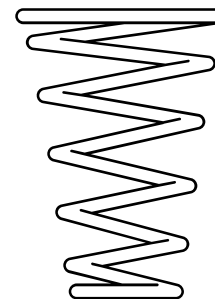
_____ millimeters - Rear (if applicable)

What type of springs do the coilovers have?

Straight



Tapered



Barrel

